

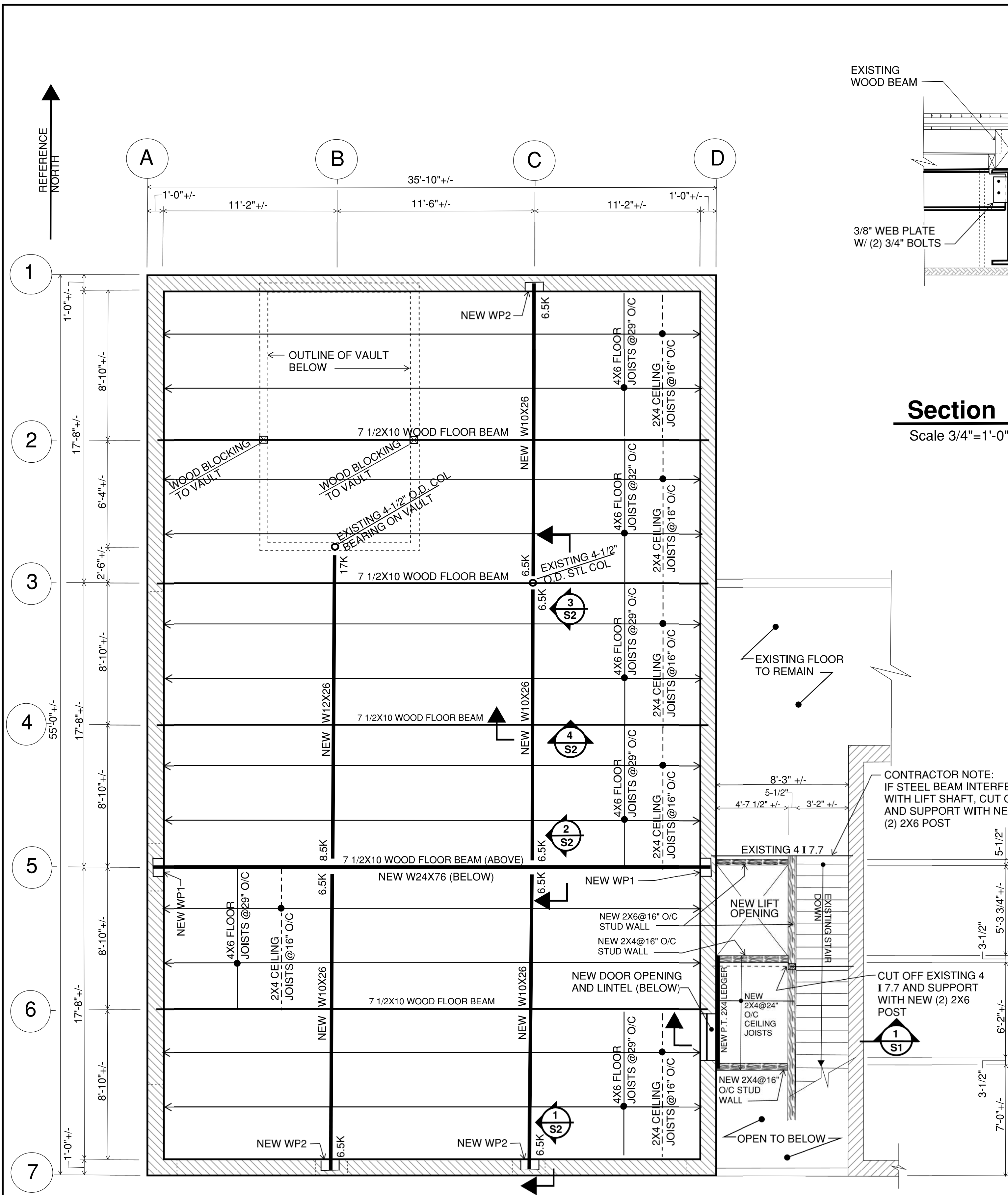
REV.	DATE	REVISION DESCRIPTION

CHILDS ENGINEERING LLC
 240 LEFEBVRE LANE
 WILLISTON, VT 05495
 Carl@childsengineering.com
 802-879-4968

REHABILITATION OF TOWN OFFICES
 49 CENTER STREET
 VERMONT
BRANDON
SECOND FLOOR FRAMING PLAN,
SECTIONS AND DETAILS

DATE: 8/11/2015
 DRAWN BY: CAC
 SCALE: AS NOTED
 CHECKED BY: CAC

S 2

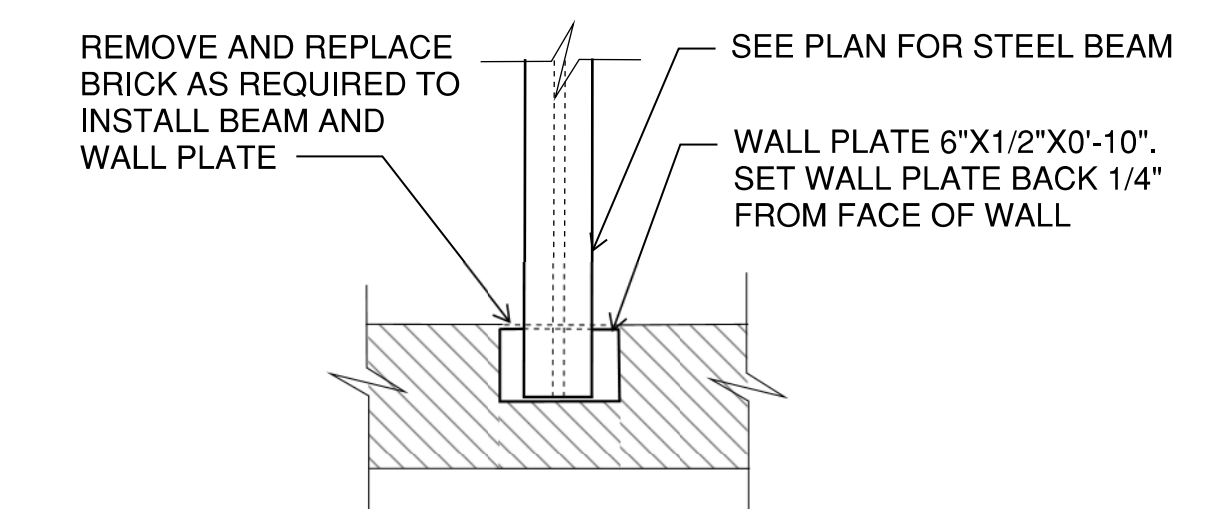
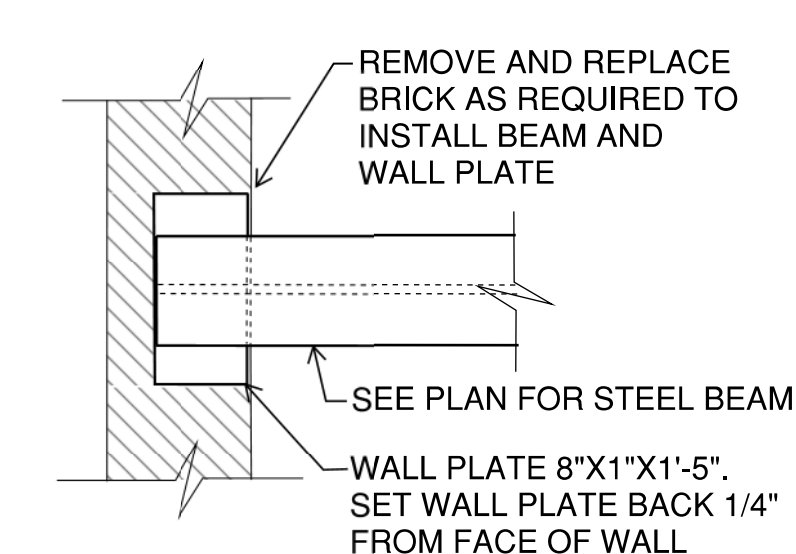
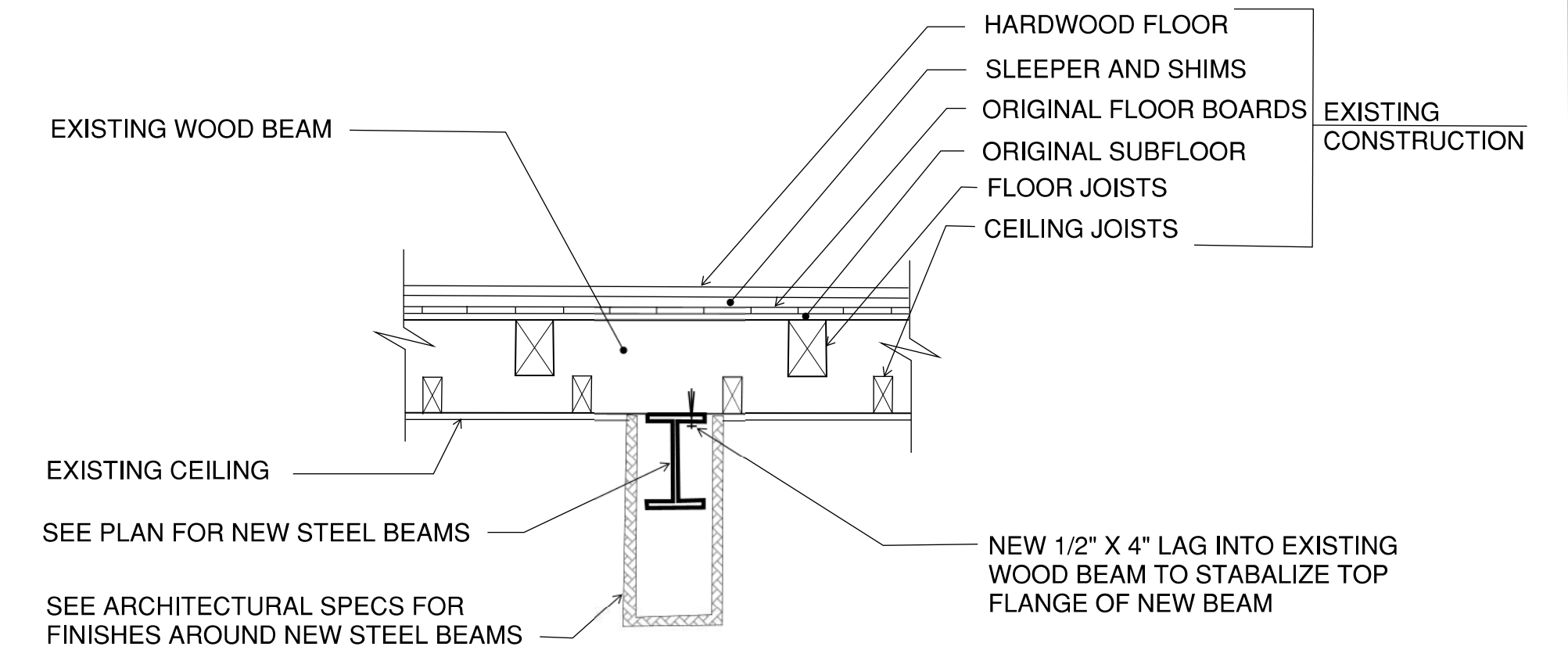
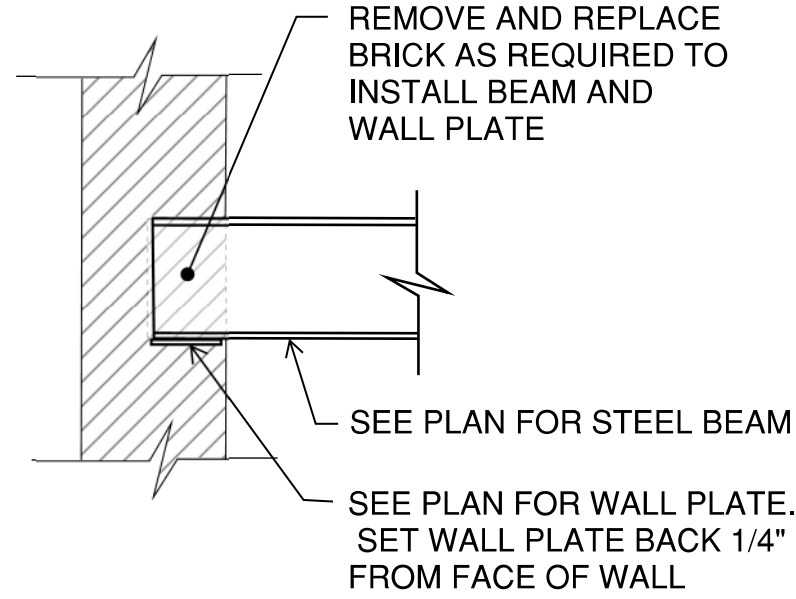
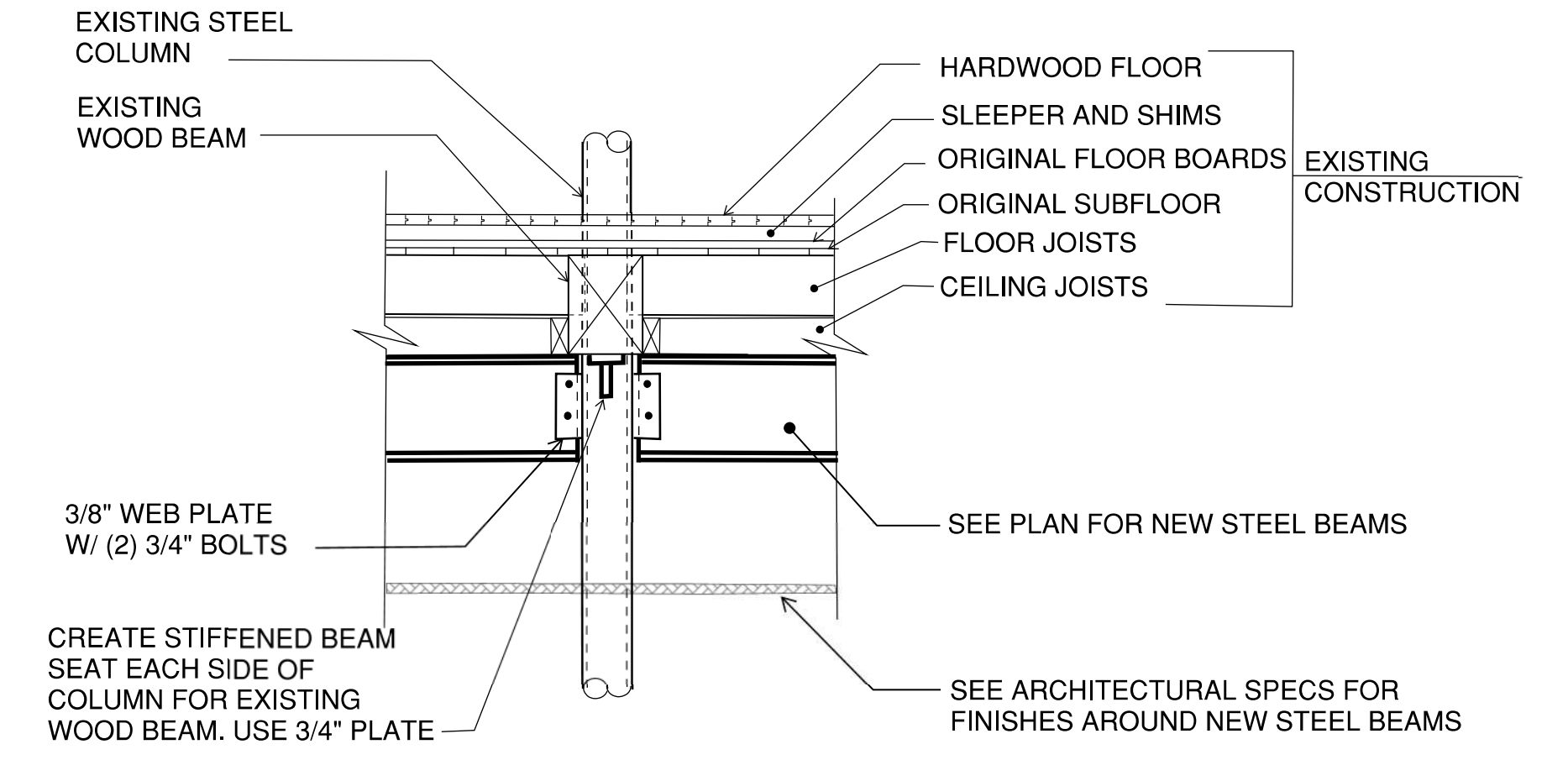
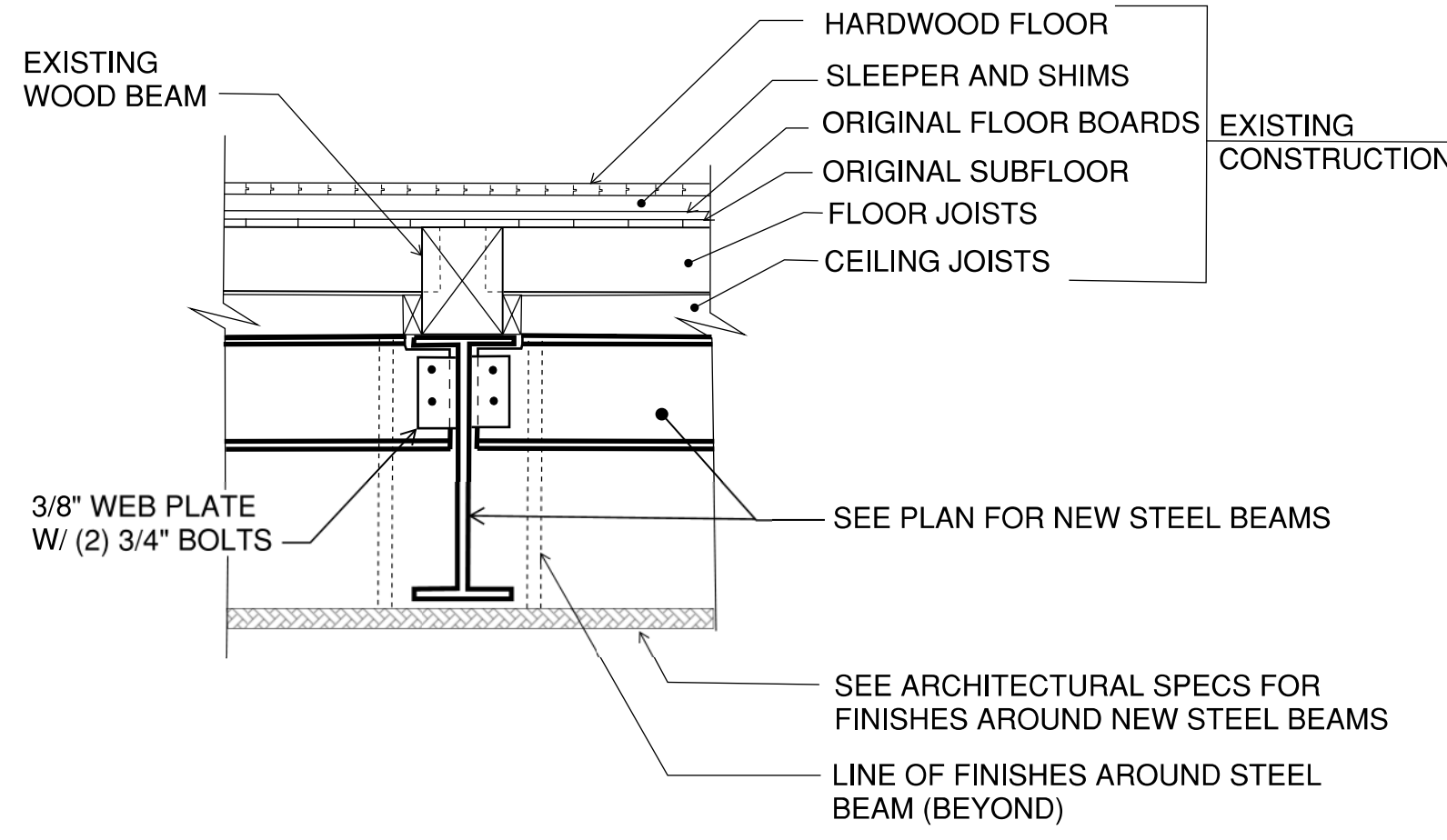


SECOND FLOOR FRAMING PLAN

SCALE 1/4"=1'-0"

1. ALL FRAMING IS EXISTING UNLESS NOTED AS NEW.

CONTRACTOR NOTE:
 FIELD VERIFY DIMENSIONS PRIOR TO FABRICATING STEEL



1. SECTION TYPICAL 6 PLACES WHERE STEEL BEAM SUPPORTS EXISTING WOOD FLOOR BEAM.